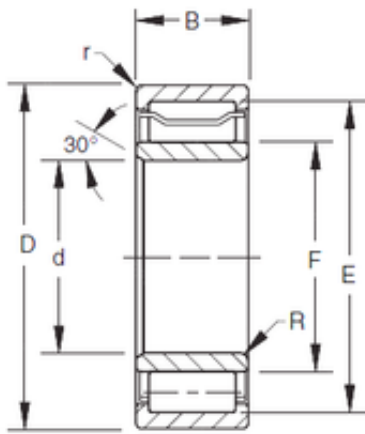




Backing Housing Diameter  $D_s$  TIMKEN  
 A-5222-WS Cylindrical Roller Radial Bearing



Bearing No. A-5222-WS

Bore Diameter	110 mm
Outer Diameter	186 mm
d	110 mm
F	130 mm
D	200 mm
E	186 mm
B	69,85 mm
C	69,85 mm
R	4 mm
r	2 mm

A-5222-WS Bearing 2D drawings and 3D CAD models