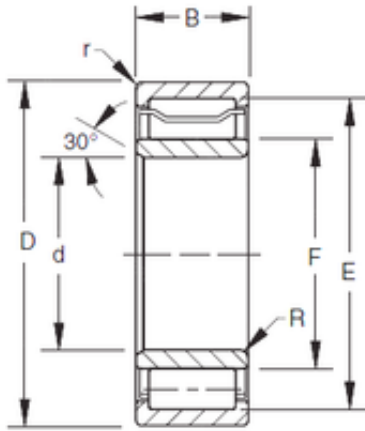




Dimension S² TIMKEN A-5230-WS Cylindrical Roller Radial Bearing

Bearing No. A-5230-WS



A-5230-WS Bearing 2D drawings and 3D CAD models

Bore Diameter	150 mm
Outer Diameter	252 mm
d	150 mm
F	179 mm
D	270 mm
E	252 mm
B	88,9 mm
C	88,9 mm
R	6,4 mm
r	2,5 mm